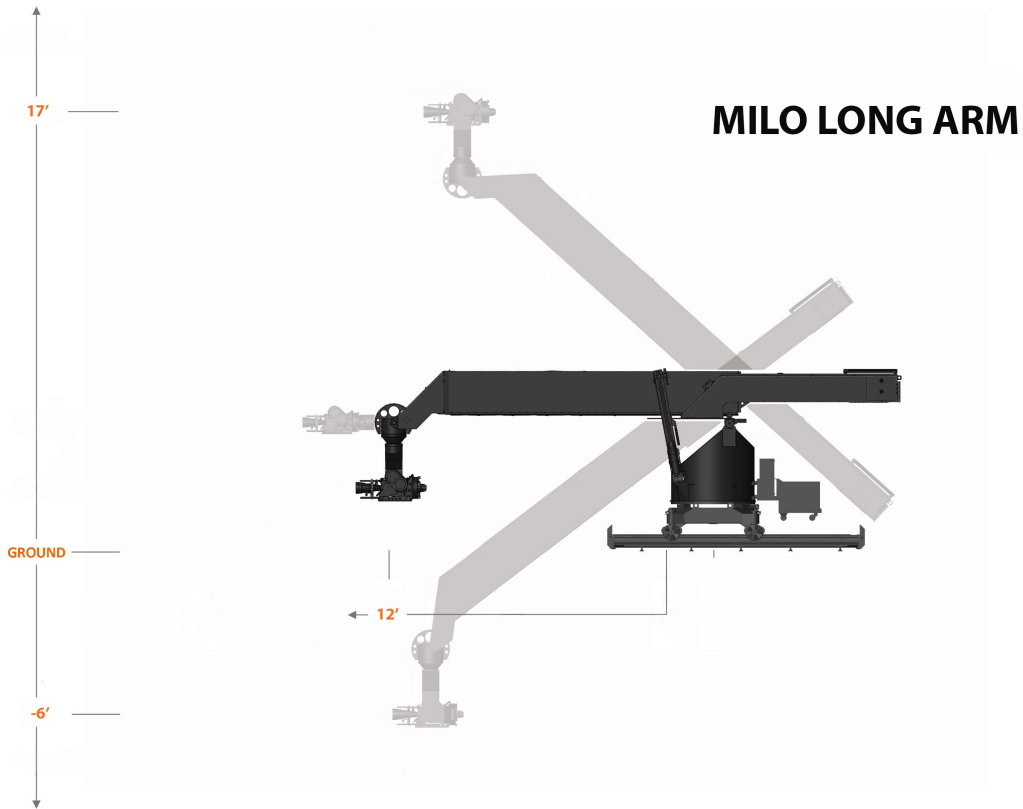


CAMERACONTROL



Operating Envelope

Maximum Height	17" (5m)
Lowest position	-6" (-1.82m)
Maximum travel (from sub floor)	23' (7m)
Maximum reach (from edge of track)	12' (3.6m)

Rig Performance

Axis	Range of Travel	Maximum Speeds
Track	In 10 ft (3m) lengths	6' (2m) per second *
Rotate	Unlimited	30 degrees per second
Lift	+/- 45 degrees	24 degrees per second
Arm Extend	3'3" (1m)	1'3" (38cm) per second
Outer Arm	225 degrees	40 degrees per second
Pan	Unlimited	120 degrees per second
Tilt	290 degrees	120 degrees per second
Roll	Unlimited	120 degrees per second

*Faster track option available upon request.

Rig Dimensions Assembled (wheeled in)

Milo Minimum Height (off track)	6'10" (2.09m)
Milo Minimum Height (on track)	7'3" (2.21m)
Milo width	4'4" (1.27m)
Milo Length (head off while traveling)	17' (5.2m)
Milo Length (head on)	17'11" (5.4m)
Milo Weight	1600lbs (726kg)

Rig Dimensions Disassembled (carried in)

Head, Arm, Turret & Base	Can fit through a 3'6" doorway
Arm Length	14' 3" (4.34)
Track Length	10' (3.05m)
Track Width	3'3" (1m)

Power Connection

Generator: min 5kw

Camera Control Inc cameracontrol.com

3317 Ocean Park Blvd. Santa Monica CA, 90405

Tel: (310) 581-8343